

Cyclone Series

Scientific Dust Collectors continues its quality in dust collector manufacturing with its offering of a full line of Model-C Cyclone Dust Collectors. Currently, SDC's line of Cyclone Collectors are suited for 550 CFM to 84,000 CFM with grouping options (of two or more cyclones) available for higher CFM needs. As with the Baghouse and Cartridge Collectors, the Cyclone Collector can be fitted with rotary air locks and other accessories.



STANDARD FEATURES

- 12 gauge steel (available in Stainless Steel).**
- Outlet mounting flange can be rotated as needed.
- Inlet mounting flange can be rotated as needed.
- Inspection Door.
- We can also assist with meeting NFPA and OSHA Standards.

**Other gauges of steel available.

Cyclones available in Carbon or Stainless Steel.

Hi-Temp cyclones are also available.

We can also assist with meeting NFPA and OSHA Standards.



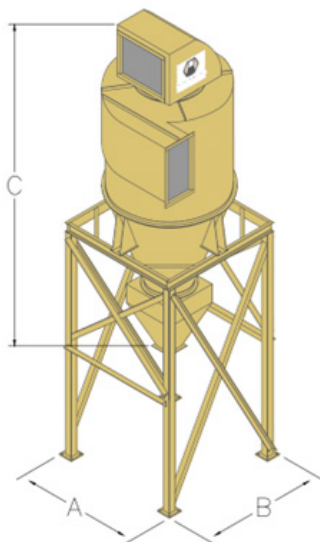
SCIENTIFIC
DUST COLLECTORS

4101 W. 126th Street • Alsip, IL 60803 USA
ph 708-597-7090 • fx 708-597-0313

www.scientificdustcollectors.com
A Venturedyne Ltd. Company

Cyclone Series

MODEL	CYCLONE DIAMETER	"A"	"B"	"C"	INLET SIZE	OUTLET SIZE	CFM at 70°F 2" WC	CFM at 70°F 4" WC	CFM at 70°F 6" WC	TOTAL WEIGHT WITHOUT STAND (LBS)
C-18	18"	20"	20"	69"	4" X 8"	8" X 4"	550	790	960	400
C-20	20"	22"	22"	79"	4" X 10"	10" X 4"	700	980	1,200	450
C-22	22"	24"	24"	84"	5" X 10"	10" X 5"	850	1,190	1,460	500
C-24	24"	26"	26"	91"	5" X 12"	12" X 5"	1,000	1,410	1,730	600
C-28	28"	30"	30"	103"	6" X 14"	14" X 6"	1,400	1,960	2,400	750
C-32	32"	34"	34"	112"	7" X 15"	15" X 7"	1,900	2,700	3,320	900
C-36	36"	36"	36"	128"	7" X 18"	18" X 7"	2,200	3,100	3,800	1,100
C-42	42"	44"	44"	148"	10" X 20"	20" X 10"	3,500	4,900	6,000	1,400
C-48	48"	50"	50"	173"	11" X 26"	26" X 11"	4,800	6,800	8,300	1,750
C-52	54"	54"	54"	187"	12" X 28"	28" X 12"	6,000	8,500	10,400	2,000
C-58	58"	60"	60"	186"	13" X 32"	32" X 13"	7,500	10,700	13,100	2,400
C-64	64"	66"	66"	213"	16" X 32"	32" X 16"	9,000	12,700	15,600	2,900
C-68	68"	70"	70"	214"	15" X 38"	38" X 15"	10,000	14,100	17,300	3,200
C-74	74"	76"	76"	232"	16" X 42"	42" X 16"	12,000	16,800	20,600	3,600
C-80	80"	82"	82"	242"	18" X 46"	46" X 18"	15,000	21,500	26,300	4,200
C-84	84"	86"	86"	263"	20" X 50"	50" X 20"	17,000	24,300	29,800	4,600
C-96	96"	98"	98"	305"	22" X 52"	52" X 22"	19,000	27,100	33,100	5,700
C-108	108"	110"	110"	343"	24" X 64"	64" X 24"	27,000	38,700	47,200	7,200
C-120	120"	122"	122"	374"	28" X 70"	70" X 28"	33,000	47,100	57,500	8,600
C-132	132"	134"	134"	425"	34" X 70"	70" X 34"	40,000	57,300	70,100	10,400
C-144	144"	146"	146"	446"	34" X 82"	82" X 34"	49,000	68,500	84,000	12,200



LEGEND:

Example: C-58

- C – Model
- 58 – Cylinder Diameter

ALL DIMENSIONS AND WEIGHTS ARE APPROXIMATE, AND ARE TO BE USED FOR REFERENCE ONLY.



SCIENTIFIC
DUST COLLECTORS

4101 W. 126th Street • Alsip, IL 60803 USA
ph 708-597-7090 • fx 708-597-0313

www.scientificdustcollectors.com
A Venturedyne Ltd. Company