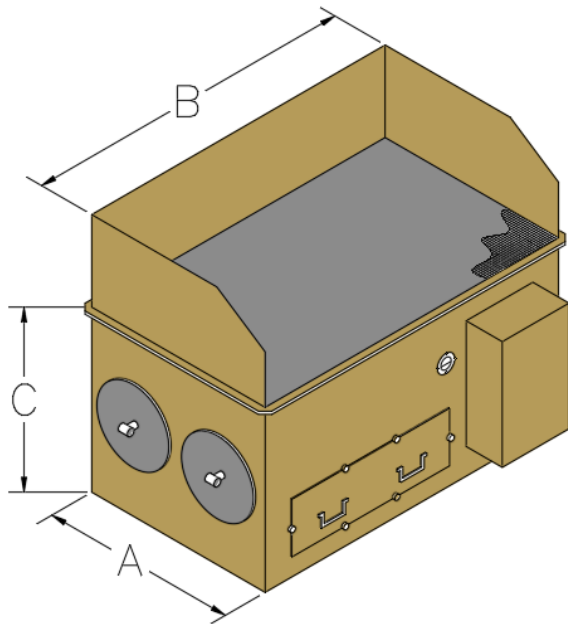
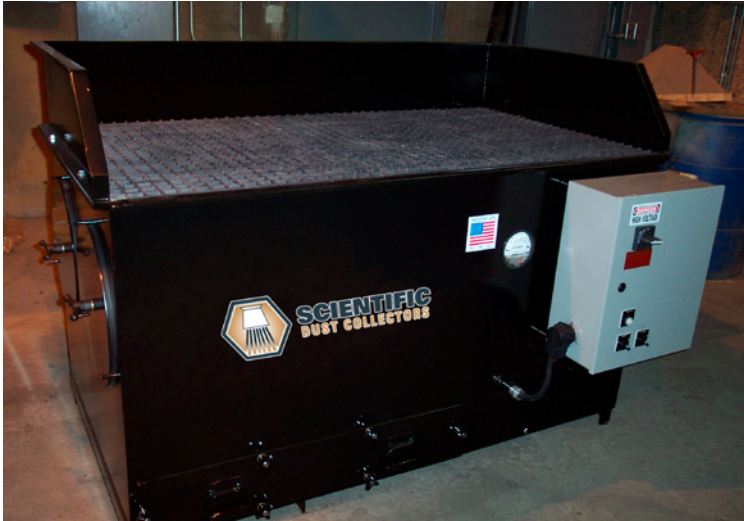


Model SDT Downdraft Table

Scientific Dust Collectors (SDT*) Downdraft Table is a self-contained collection system that is ergonomically designed to provide a clean and safe working environment. It is ideal for grinding, polishing, sanding, buffing, and any manual finishing operations. It has a heavy duty work table that can handle a capacity of up to 3,000 lbs on the grating. A 200 Feet Per Minute face velocity provides for excellent ventilation.



STANDARD FEATURES

- 3 ft. x 5 ft. working surface.
- Four (4) heavy duty cellulose cartridges, 14" OD x 18" long each.
- Heavy duty 12 gauge construction.
- Heavy duty fiberglass top working surface. Metal top optional.
- Two removable dust drawers.
- Nozzle based high efficiency cleaning system.
- Integral fan rated at 3,000 CFM, 5 HP.
- Magnehelic gauge flush mounted.
- Control panel with starter, pushbuttons and cleaning control (440V-460V) with Transformer for 110V connected to cleaning solid state timer control.
- Standard color is graphite.
- Ready to operate – easy air hookup.

Model	A	B	C
SDT-4	48"	71"	36"

*SDT Downdraft Table is available in one size only - as shown.



SCIENTIFIC
DUST COLLECTORS

4101 W. 126th Street + Alsip, IL 60803 USA
ph 708-597-7090 + fx 708-597-0313

www.scientificdustcollectors.com
A Venturedyne Ltd. Company