

MP Series

The MP Series Vertical Cartridge Collector is an economical cartridge collector with all the quality design features you have come to expect from Scientific Dust Collectors. The unit features all welded construction and a Patented nozzle based cleaning technology. Our spring loaded cartridge holder guarantees to provide a no leak seal between the tube sheet and the cartridge.

MP Series Vertical Cartridge Collector



STANDARD FEATURES

- Patented Cleaning Nozzle Technology.
- High Side Baffled Inlet with internal perforated baffle.
- 12 gauge hot rolled steel housing, reinforced to withstand ± 20 IWC static pressure.
- Solid state timer pre-wired in NEMA 4 enclosure (110 V).
- Welded construction, pre-assembled to largest feasible shipping sections. Standard designed for 100 MPH winds, and Zone 3 seismic loads.
- Compressed air manifold mounted with pipe couplings on both ends for easy connection of air supply.
- 60 degree hopper with discharge clearance of 42". Sized for a slide gate or 55 gallon drum adapter.
- Flanged pre-drilled inlet, and flanged pre-drilled outlet.
- Removable 20" x 20" hopper access panel (for airlock).
- Variable sized Hinged Access Door (varies by size).
- Designed for Indoor/Outdoor Use.
- Compressed air required: 90 – 100 psi. Must be clean and dry.
- One full set of Duratex or Duratex II cartridges (99.99% efficiency).
- Zinc oxide primer on the interior and exterior, and an exterior finish of industrial enamel (color is tan or graphite).
- One differential pressure gauge with dust trap and connecting hardware

We can also assist with meeting NFPA and OSHA Standards.



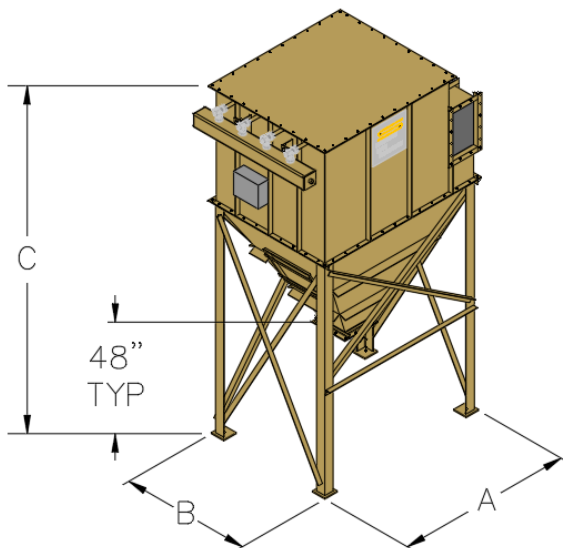
SCIENTIFIC
DUST COLLECTORS

4101 W. 126th Street + Alsip, IL 60803 USA
ph 708-597-7090 + fx 708-597-0313

www.scientificdustcollectors.com
A Venturedyne Ltd. Company

MP Series

| MODEL | "A" | "B" | "C" | INLET SIZE | OUTLET SIZE DIA. | QTY. VALVES | CLEANING AIR SCFM REQD. | TOTAL WEIGHT (LBS) |
|-------|------|------|------|------------|------------------|-------------|-------------------------|--------------------|
| MP-2 | 36" | 40" | 95" | 9" DIA. | 9" DIA. | 2 | 0.3 - 1.5 | 900 |
| MP-4 | 50" | 40" | 125" | 10" X 12" | 10" X 12" | 2 | 0.6 - 2.2 | 1,200 |
| MP-6 | 50" | 58" | 132" | 10" X 18' | 10" X 18' | 3 | 0.8 - 3.4 | 1,500 |
| MP-8 | 76" | 57" | 150" | 12" X 20" | 12" X 20" | 4 | 1.1 - 4.5 | 1,800 |
| MP-10 | 76" | 68" | 150" | 12" X 24" | 12" X 24" | 5 | 1.4 - 5.6 | 2,200 |
| MP-12 | 78" | 80" | 155" | 14" X 26" | 14" X 26" | 6 | 1.7 - 6.7 | 2,900 |
| MP-15 | 96" | 78" | 170" | 16" X 28" | 15" X 29" | 5 | 2.1 - 8.4 | 3,200 |
| MP-18 | 98" | 92" | 172" | 18" X 30" | 16" X 33" | 6 | 2.5 - 10.1 | 3,800 |
| MP-21 | 100" | 106" | 182" | 20" X 30" | 18" X 34" | 7 | 2.9 - 11.8 | 4,450 |
| MP-24 | 96" | 119" | 197" | 30" X 23" | 19" X 37" | 6 | 3.4 - 13.4 | 5,200 |
| MP-28 | 96" | 137" | 184" | 30" X 27" | 20" X 41" | 7 | 3.9 - 15.7 | 5,400 |
| MP-32 | 96" | 155" | 186" | 30" X 31" | 22" X 42" | 8 | 4.5 - 17.9 | 6,100 |
| MP-36 | 96" | 173" | 188" | 30" X 35" | 22" X 44" | 9 | 5.0 - 20.2 | 6,900 |
| MP-40 | 96" | 191" | 188" | 30" X 39" | 24" X 48" | 10 | 5.6 - 22.4 | 7,700 |
| MP-44 | 96" | 209" | 193" | 30" X 43' | 26" X 49" | 11 | 6.2 - 24.6 | 8,500 |
| MP-48 | 96" | 227" | 202" | 30' X 47" | 27" X 52" | 12 | 6.7 - 26.9 | 9,300 |



LEGEND:

Example: MP-2

- MP – Model
- 2 – Number of Filters

Larger Models Available

NOTE: MP-24 Models and larger have center inlets.

ALL DIMENSIONS AND WEIGHTS ARE APPROXIMATE, AND ARE TO BE USED FOR REFERENCE ONLY.



SCIENTIFIC
DUST COLLECTORS

4101 W. 126th Street + Alsip, IL 60803 USA
ph 708-597-7090 + fx 708-597-0313

www.scientificdustcollectors.com
A Venturedyne Ltd. Company