

MPL Series

The MPL Series* Vertical Cartridge Collectors features all welded construction, and our Patented nozzle based technology. Cartridges are secured using a patented spring-loaded handle to assure proper sealing, and we guarantee no leaks between the tube sheet and cartridges. This 'low profile' cartridge unit utilizes small 9"OD x 13"L filters. Bin Vent or Hopper models available.

Model MPL – Shop Portable



Model MPL – Bin Vent



STANDARD FEATURES

- Patented Cleaning Nozzle Technology.
- 12 gauge steel bin and hopper, reinforced to withstand ± 20 IWC static pressure
- Solid state timer pre-wired in NEMA 4 enclosure (110 V).
- Welded construction, preassembled to largest feasible shipping sections.
- Compressed air required: 90 – 100 PSI. Must be clean and dry.
- Compressed air manifold mounted with pipe couplings on both ends for easy connection of air supply.
- 60 degree hopper with discharge clearance of 20". Sized for a slide gate and 5 gallon pail.
- Flanged pre-drilled inlet, and flanged pre-drilled outlet.
- Designed for Indoor/Outdoor use.
- Removable Access Door.
- Zinc oxide primer on the interior and exterior, and an exterior finish of industrial enamel (color is tan or graphite).
- One differential pressure gauge with dust trap and connecting hardware.
- One full set of Duratex II cartridges (99.99% efficiency).

***MPL-Series is a small Vertical cartridge collector also available in a Bin Vent version.**

We can also assist with meeting NFPA and OSHA Standards.



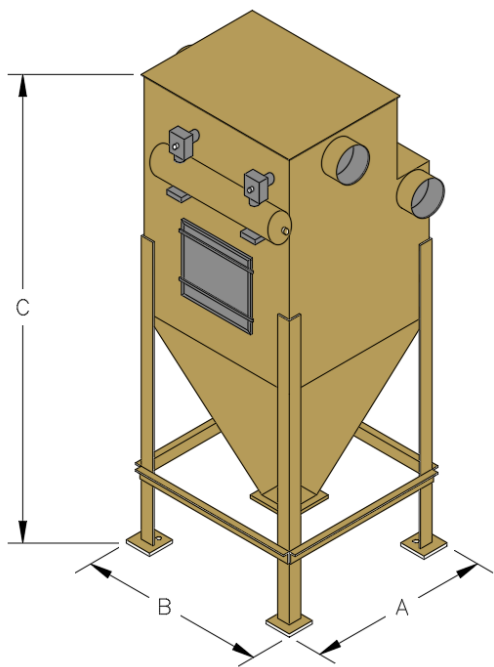
SCIENTIFIC
DUST COLLECTORS

4101 W. 126th Street + Alsip, IL 60803 USA
ph 708-597-7090 + fx 708-597-0313

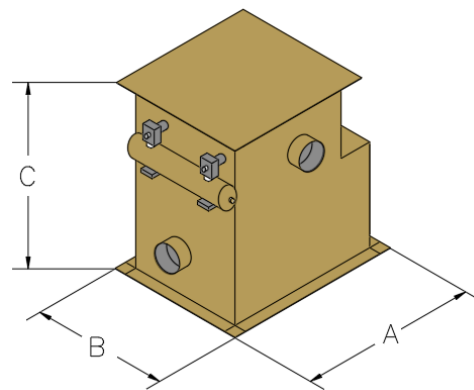
www.scientificdustcollectors.com
A Venturedyne Ltd. Company

MPL Series

MODEL	"A"	"B"	"C"	INLET SIZE DIA	OUTLET SIZE DIA	QTY. VALVES	COMPRESSED AIR USAGE	TOTAL WEIGHT (LBS)
MPL-2	19"	27"	74"	5"	5"	2	0.08 - 0.6	330
MPL-4	34"	27"	81"	8"	8"	2	0.1 - 1.1	460
MPL-6	34"	39"	85"	9"	9"	3	0.2 - 1.6	590
MPL-9	50"	39"	97"	11"	11"	3	0.3 - 2.5	760
MODEL	"A"	"B"	"C"	OUTLET SIZE DIA	QTY. VALVES	COMPRESSED AIR USAGE	TOTAL WEIGHT (LBS)	
MPL-2BV	27"	27"	36"	5"	2	0.08 - 0.6	175	
MPL-4BV	27"	27"	36"	8"	2	0.1 - 1.1	260	
MPL-6BV	39"	39"	37"	9"	3	0.2 - 1.6	355	
MPL-9BV	39"	39"	39"	11"	3	0.3 - 2.5	450	



ALL DIMENSIONS AND WEIGHTS ARE APPROXIMATE, AND ARE TO BE USED FOR REFERENCE ONLY.



SCIENTIFIC
DUST COLLECTORS

4101 W. 126th Street + Alsip, IL 60803 USA
ph 708-597-7090 + fx 708-597-0313

www.scientificdustcollectors.com
A Venturedyne Ltd. Company