

Designed for storage  
tanks, silos, work bins  
and material receivers

# BIN VENTS

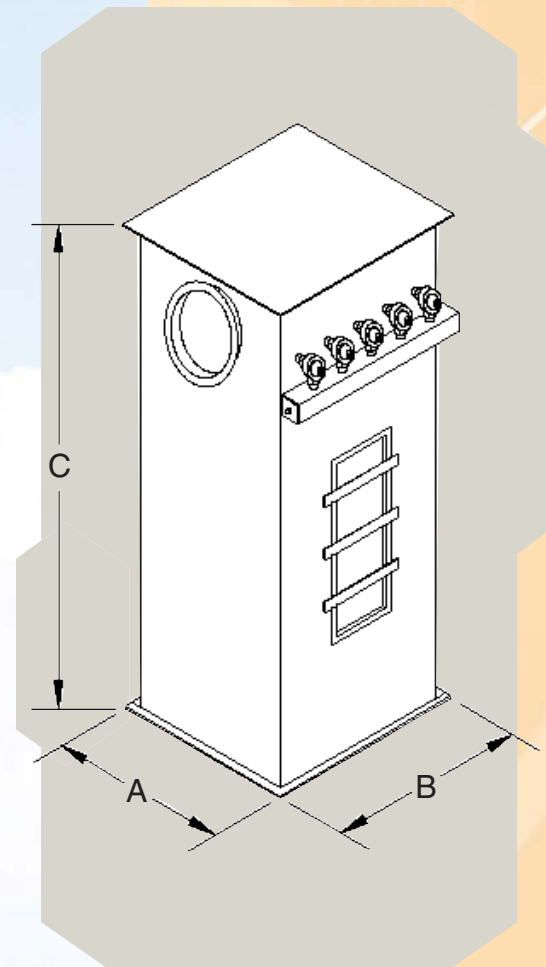
These heavy-duty, reverse-pulse baghouse dust collectors have no moving parts and ship completely assembled for a quick installation. High efficiency (99.99%) and a patented cleaning system provide long bag life and low maintenance cost.

## STANDARD FEATURES

- 12 gauge hot rolled steel, reinforced to withstand  $\pm 20$  IWC static pressure
- Patented cleaning system with solid state timer pre-wired in NEMA 4 enclosure (110 V)
- Designed for 100 MPH winds and Zone 3 seismic loads
- Compressed air manifold mounted with pipe couplings on both ends for easy connection
- Magnehelic gauge with dust trap and connecting hardware
- One full set of cages and bags with mounting hardware
- Cage and bag removal from large bin access door
- Standard operating temperature to 275° F
- Bird screen and rain hood
- Bottom safety grating & lifting lugs
- Zinc oxide primer on all surfaces with an exterior finish of industrial enamel (color is tan or gray)

Model	A	B	C
SPJ-4-X4B6BV	21"	21"	97"
SPJ-9-X4B6BV	28"	28"	97"
SPJ-12-X4B6BV	36"	28"	97"
SPJ-18-X4B6BV	51"	29"	97"
SPJ-24-X4B6BV	51"	36"	97"
SPJ-30-X4B6BV	51"	44"	97"
SPJ-36-X4B6BV	51"	51"	97"
SPJ-4-X4B8BV	21"	21"	122"
SPJ-9-X4B8BV	28"	28"	122"
SPJ-12-X4B8BV	36"	28"	122"
SPJ-18-X4B8BV	51"	29"	122"
SPJ-24-X4B8BV	51"	36"	122"
SPJ-30-X4B8BV	51"	44"	122"
SPJ-36-X4B8BV	51"	51"	122"

Larger models available.



## SCIENTIFIC DUST COLLECTORS

4101 W. 126th Street + Alsip, IL 60803 USA  
ph 708.597.7090 + fx 708.597.0313

www.scientificdustcollectors.com  
A Venturedyne Ltd. Company

BUL #104  
05/06