

Low volume, low static
Vertical Cartridges

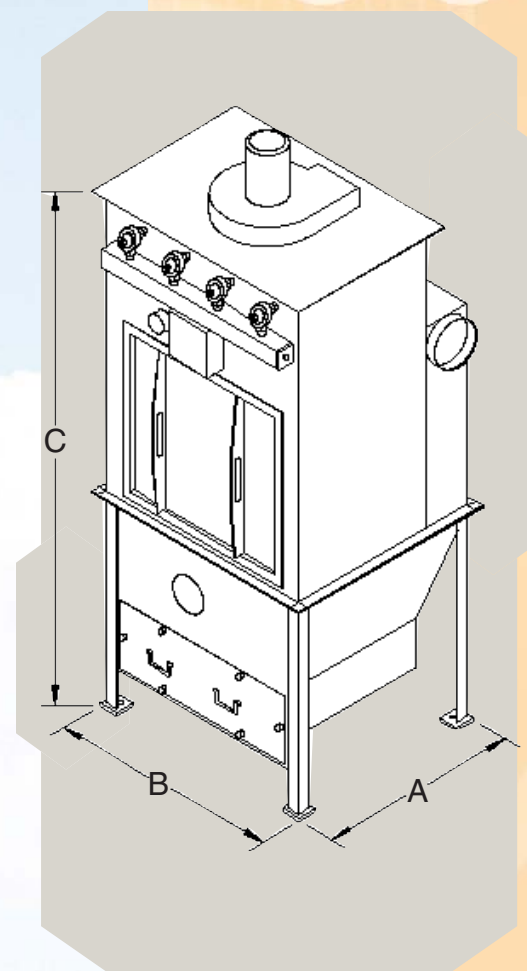
LP SERIES

The LP collector is an economical low pressure cartridge collector with all the quality design features you have come to expect from SDC. The unit is fully welded, includes SDC's patented nozzle-based cleaning system and has a generous access door. Cartridges are secured without the need of tools via a simple latch and threaded spring-loaded handle to assure proper sealing and guaranteed to provide a no leak seal between the tube sheet and the cartridge. All LP collectors are on-line self cleaning units with a solid state timer board for the cleaning system. For flows up to 3,000 cfm.

STANDARD FEATURES

- Zinc oxide primer on all surfaces with an exterior coating of industrial enamel paint (color is graphite)
- One full set of Duratex or Duratex II cartridges (99.99% efficiency)
- Patented nozzle based cleaning system with solid state pulse timer board pre-wired in a NEMA 4 enclosure (110 V)
- Lifting lugs for easy installation and movement
- All units designed for indoor/outdoor use
- No tool cartridge removal
- High inlet design reduces cartridge wear and loading
- Internal baffles eliminate dust re-entrainment
- Drawer or standard hopper designs available
- Heavy duty welded design - not bolt together type

Model	Lbs.	A	B	C
LP-2	900	36.13"	40.13"	121.63"
LP-3	1,200	55.88"	40.13"	121.38"
LP-4	1,500	57.38"	49.13"	127.63"
LP-5	1,700	59.38"	58.13"	128.25"



SCIENTIFIC DUST COLLECTORS

4101 W. 126th Street + Alsip, IL 60803 USA
ph 708.597.7090 + fx 708.597.0313

www.scientificdustcollectors.com
A Venturedyne Ltd. Company

BUL #401
05/06