

## Small Vertical Cartridges

# MPL SERIES

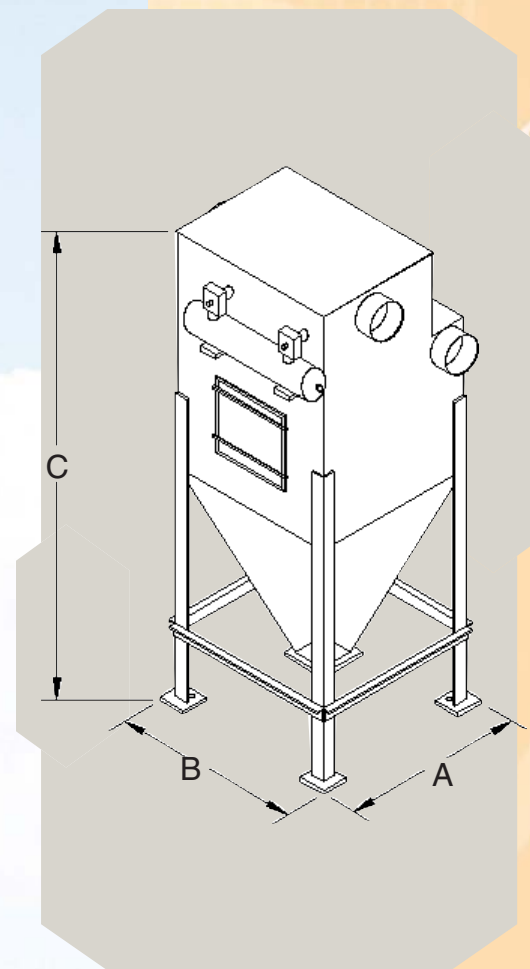
The MPL collector is an economical cartridge collector with all the quality design features you have come to expect from Scientific Dust Collectors. The unit features all welded construction and patented nozzle based cleaning system. Cartridges are secured using a spring-loaded handle to assure proper sealing and guaranteed to provide a no leak seal between the tube sheet and the cartridge.

## STANDARD FEATURES

- 12 gauge hot rolled steel housing, reinforced to withstand  $\pm 20$  IWC static pressure, welded construction, pre-assembled to largest feasible shipping sections
- Patented cleaning system with solid state timer pre-wired in NEMA 4 enclosure (110 V)
- 60° hopper with square discharge, flanged and pre-drilled for auxiliary equipment
- Compressed air manifold mounted with pipe couplings on both ends for easy connection of air supply
- Hopper discharge clearance of 20", sized for slide gate and 5 gallon utility pail
- Flanged inlet and flanged outlet
- One differential pressure gauge with connecting hardware
- One full set of Duratex or Duratex II cartridges (99.99% efficiency)
- Zinc oxide primer on all surfaces with an exterior finish of industrial enamel (color is tan or gray)

Model	A	B	C
MPL-2	19"	27"	73.5"
MPL-4	34"	27"	80.5"
MPL-6	34"	39"	85"
MPL-9	50"	39"	96.5"

Larger models available.



## SCIENTIFIC DUST COLLECTORS

4101 W. 126th Street + Alsip, IL 60803 USA  
ph 708.597.7090 + fx 708.597.0313

www.scientificdustcollectors.com  
A Venturedyne Ltd. Company

BUL #302  
05/06