

SC SERIES

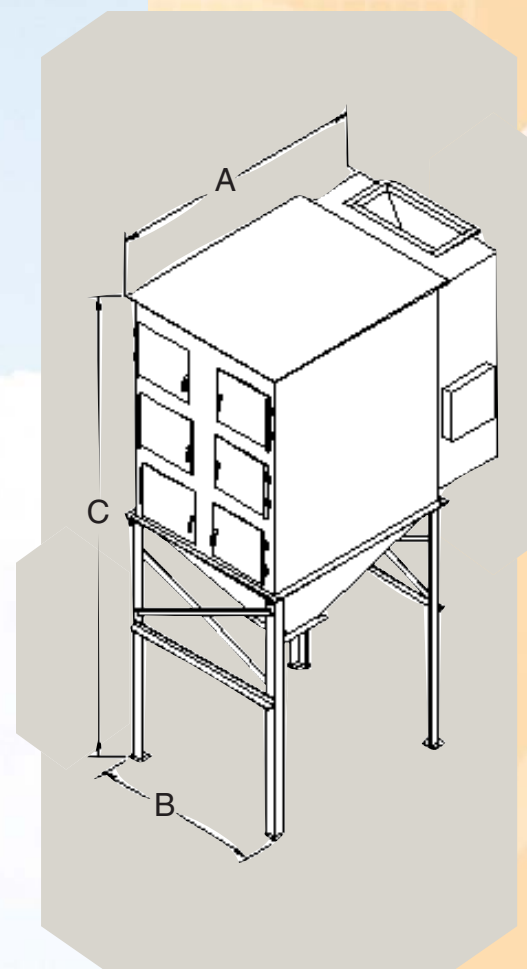
The SC Series Collector is an economical yet heavy duty reverse pulse-jet cartridge collector with the manufacturing quality you have come to expect from SDC. The bin is fully welded (not bolted together), operates with a downward airflow, and includes SDC's patented nozzle-based cleaning system. Cartridges are secured without the need of tools via a removable-hinged access door for quick and easy cartridge changes. All SC collectors are on-line self cleaning units with a solid state timer board for the cleaning system.

STANDARD FEATURES

- 12 gauge steel bin and hopper with reinforced construction
- Zinc oxide primer on all surfaces with an exterior finish of industrial enamel (color is tan or gray)
- One full set of Duratex II cartridges (99.99% efficiency)
- Housing designed for ± 17 IWC
- Patented nozzle based cleaning system with solid state pulse timer board prewired in NEMA 4 enclosure (110 V)
- Differential pressure gauge with dust trap and connecting hardware
- Lifting lugs for easy movement and installation
- All units designed and finished for outdoor use
- No tool cartridge removal
- All welded construction
- Designed for 100 MPH wind and Zone 3 seismic loads
- 55° reinforced hopper with square flanged discharge
- Hopper discharge clearance of 42", sized for slide gate and 55 gallon drum adapter

Model	A	B	C
SC-2	64"	49"	94"
SC-4	64"	49"	116"
SC-8	92"	55"	126"
SC-12	92"	55"	148"
SC-16	92"	55"	170"
SC-18	92"	78"	158"
SC-24	92"	78"	180"

Larger models available.



SCIENTIFIC DUST COLLECTORS

4101 W. 126th Street + Alsip, IL 60803 USA
 ph 708.597.7090 + fx 708.597.0313

www.scientificdustcollectors.com
 A Venturedyne Ltd. Company

BUL #119
 11/09