

DOWNDRAFT TABLES

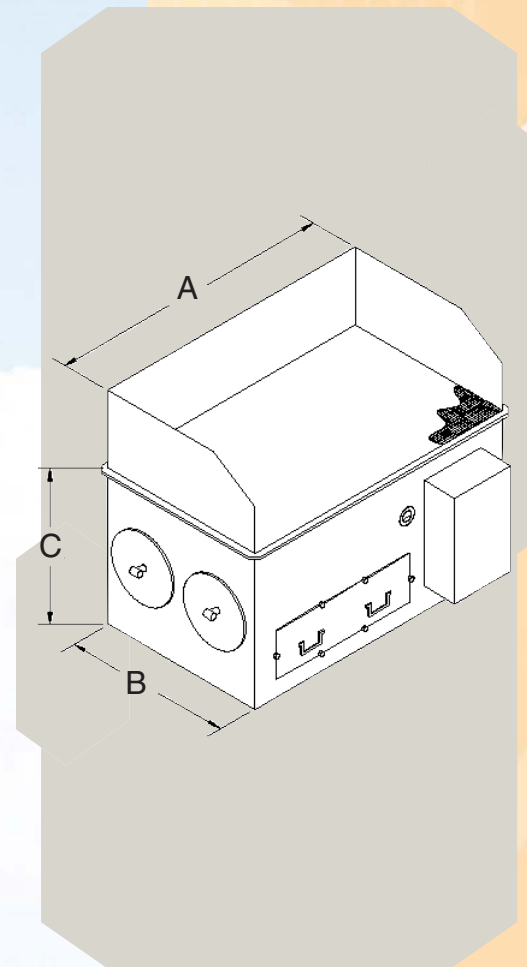
Scientific Dust Collectors' newest product is the Downdraft Table, Model SDT-4. Designed to increase workers' productivity and ensure a cleaner working environment by providing an efficient dust collection system that is ergonomically designed for operator comfort. Ideal for grinding, polishing, sanding and buffing.

STANDARD FEATURES

- 12 gauge material construction - heavy duty
- Four (4) heavy duty fire retardant cartridges
- 3 ft x 5 ft working surface
- One inch thick, heavy duty fiberglass grating
- Integral NY Blower fan
- Motor starter (start/stop/cleaning) panel
- 200 FPM face velocity
- Magnehelic gauge installed
- Optional side and back panels

Model	A	B	C
SDT-4	70.5"	47.13"	36"

Larger models available.



SCIENTIFIC DUST COLLECTORS

4101 W. 126th Street + Alsip, IL 60803 USA
ph 708.597.7090 + fx 708.597.0313

www.scientificdustcollectors.com
A Venturedyne Ltd. Company

BUL #704
05/06