

# SL SERIES

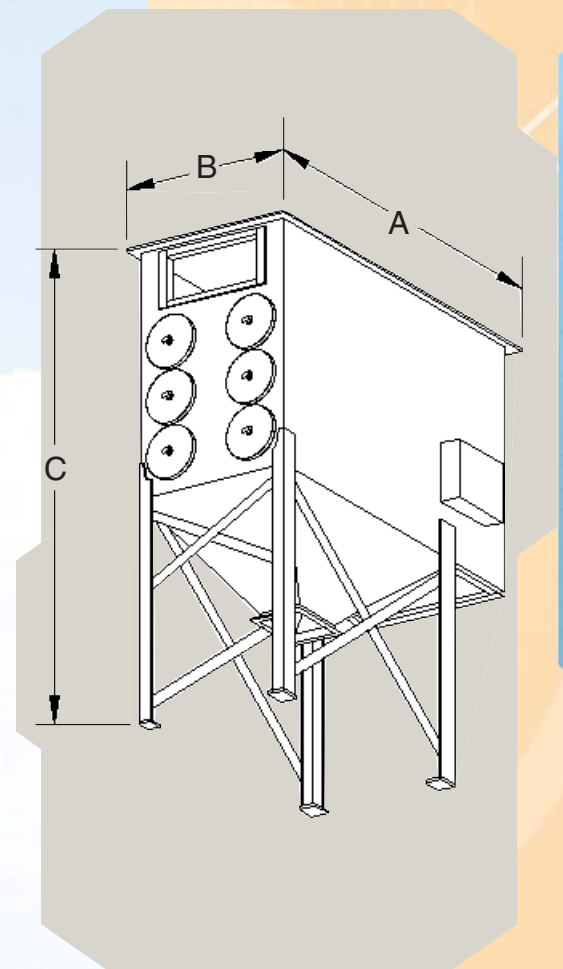
The SL Series Collector is a heavy duty reverse pulse-jet cartridge collector that is suited for industrial powders and submicron dust applications. These units operate with a downward airflow and incorporate our patented nozzle based cleaning system, internal inlet air baffle and close design attention to internal air flow velocities and patterns. The SL Series are sealed and held in place by a patented spring-loaded door and reinforced three-rod support cage. This patented door makes cartridge changes quick and easy, insures a positive seal and proper cartridge tension. This mean a compact collector, longer filter life, less compressed air usage and lower maintenance costs.

## STANDARD FEATURES

- 12 gauge steel bin and hopper with reinforced construction
- Zinc oxide primer on all surfaces with an exterior finish of industrial enamel (color is tan or gray)
- One full set of Duratex or Duratex II cartridges (99.99% efficiency)
- Housing designed for  $\pm 20$  IWC
- Patented nozzle based cleaning system with solid state pulse timer board prewired in NEMA 4 enclosure (110 V)
- Differential pressure gauge with dust trap and connecting hardware
- Lifting lugs for easy movement and installation
- All units designed and finished for outdoor use
- No tool cartridge removal
- All welded construction
- Designed for 100 MPH wind and Zone 3 seismic loads
- 55° reinforced hopper with square flanged discharge
- Hopper discharge clearance of 42", sized for slide gate and 55 gallon drum adapter

Model	A	B	C
SL1-4	102.75"	48.88"	109.38"
SL1-6	102.75"	69.88"	112.06"
SL2-8	102.75"	48.88"	129.38"
SL2-12	102.75"	69.88"	132.06"
SL3-12	102.75"	48.88"	149.38"
SL4-16	102.75"	48.88"	171.38"
SL3-18	102.75"	69.88"	154.06"
SL4-24	102.75"	69.88"	176.06"

Larger models available.



## SCIENTIFIC DUST COLLECTORS

4101 W. 126th Street + Alsip, IL 60803 USA  
 ph 708.597.7090 + fx 708.597.0313

www.scientificdustcollectors.com  
 A Venturedyne Ltd. Company

BUL #501  
 05/06