

Horizontal Bag  
collectors for low  
headroom applications

# SPJ-H SERIES

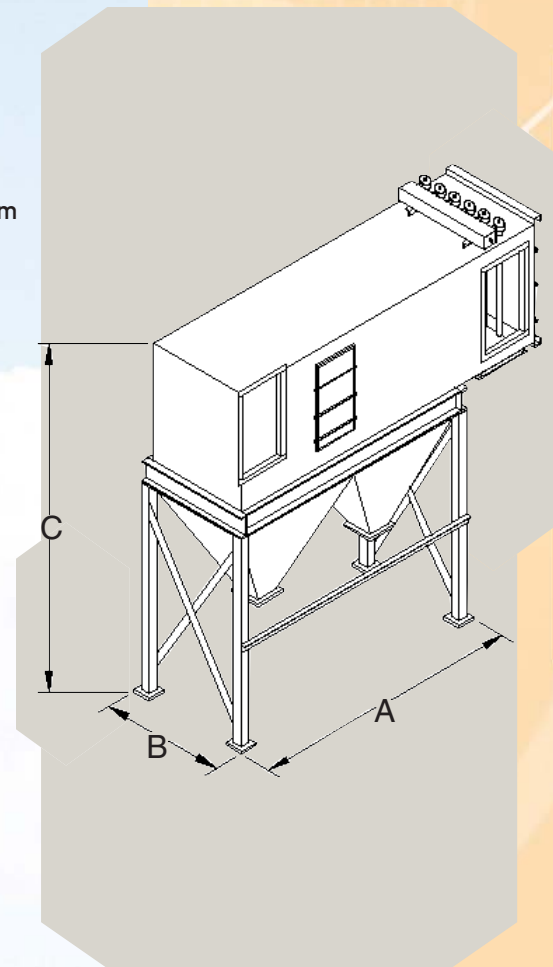
The SPJ Series Dust Collector is a heavy duty reverse pulse-jet dust collector that eliminates flow-restricting venturis and utilizes our patented cleaning system. The cleaning system results in reliable and efficient collectors that requires fewer bags and prolongs bag life. This reduces overall maintenance and operating costs while operating a smaller overall collector.

## STANDARD FEATURES

- 12 gauge hot rolled steel housing, reinforced to withstand  $\pm 20$  IWC
- Structure designed for 100 MPH winds + Zone 3 seismic loads
- Patented cleaning system with solid state timer pre-wired in NEMA 4 enclosure
- 60° hopper with square discharge, flanged and pre-drilled for auxiliary equipment
- Compressed air manifold mounted with pipe couplings on both ends for easy connection of air supply
- Hopper discharge clearance of 42", sized for slide gate and 55 gallon drum adapter
- Flanged inlet and pre-drilled flanged outlet
- Side access panel
- One full set of filter bags and wire cages with mounting hardware
- Zinc oxide primer on the interior and exterior, and an exterior finish of industrial enamel
- One differential pressure gauge with dust trap and connecting hardware
- Hinged door assembly for access to purge tubes, bags and cages
- Side wall hopper and bag support area access door (one side only)

Model	A	B	C
SPJ-42-X4H8	151.5"	60.75	147
SPJ-48-X4H8	151.5"	68.25	149
SPJ-54-X4H8	151.5"	75.75	155
SPJ-60-X4H8	151.5"	83.25	162
SPJ-66-X4H8	151.5"	90.75	168
SPJ-72-X4H8	169.5"	75.75	170
SPJ-80-X4H8	169.5"	83.25	167.5
SPJ-88-X4H8	169.5"	90.75	183.5
SPJ-96-X4H8	169.5"	98.25	189.5
SPJ-104-X4H8	169.5"	105.75	196
SPJ-112-X4H8	169.5"	113.25	202.5
SPJ-120-X4H8	169.5"	120.75	208.5

Larger models available.



## SCIENTIFIC DUST COLLECTORS

4101 W. 126th Street + Alsip, IL 60803 USA  
ph 708.597.7090 + fx 708.597.0313

www.scientificdustcollectors.com  
A Venturedyne Ltd. Company

BUL #605  
05/06