

Designed for conveyors,  
tanks, silos, air slides,  
and bins.

# INSERTS

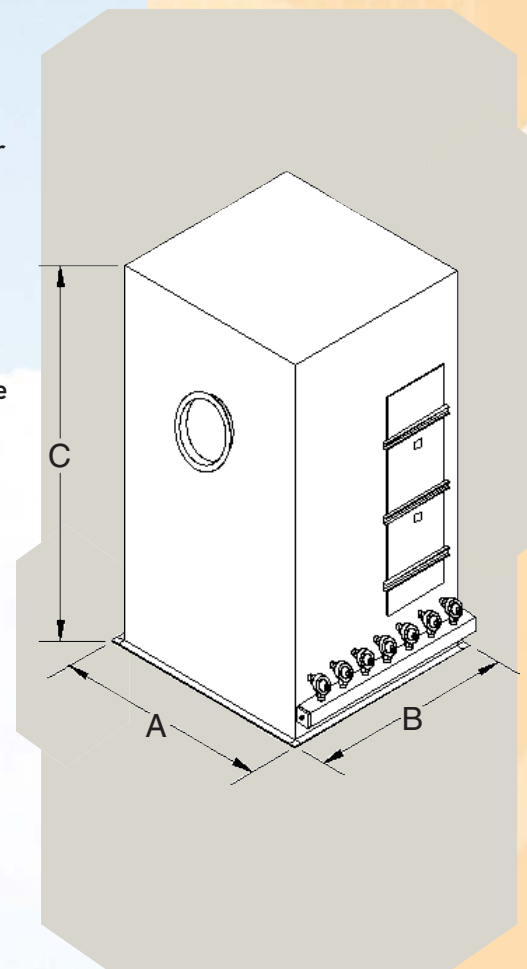
Inserts are self-contained dust collectors which are integrated into an existing enclosure, allowing dust to be retained at the point at which it is generated. Custom designed to meet your needs. Available with walk-in plenums or railing top styles. Ideal for custom applications or retrofits. Tubesheet is included.

## STANDARD FEATURES

- 12 gauge hot rolled steel housing, reinforced to withstand  $\pm 20$  IWC
- Patented cleaning system with solid state timer pre-wired in NEMA 4 enclosure
- Compressed air manifold mounted with pipe couplings on both ends for easy connection of air supply
- Flanged inlet and pre-drilled flanged outlet
- One full set of filter bags and wire cages with mounting hardware
- Zinc oxide primer on the interior and exterior, and an exterior finish of industrial enamel
- One differential pressure gauge with dust trap and connecting hardware

Model	A	B	C
SPJ-40-X4T8I	66"	44"	103"
SPJ-48-X4T8I	66"	51"	103"
SPJ-56-X4T8I	66"	59"	103"
SPJ-64-X4T8I	66"	66"	103"
SPJ-72-X4T8I	96"	51"	103"
SPJ-84-X4T8I	96"	59"	103"
SPJ-96-X4T8I	96"	66"	103"
SPJ-108-X4T8I	96"	74"	103"
SPJ-120-X4T8I	96"	81"	103"
SPJ-132-X4T8I	96"	89"	103"
SPJ-144-X4T8I	96"	96"	103"

Larger models available.



## SCIENTIFIC DUST COLLECTORS

4101 W. 126th Street + Alsip, IL 60803 USA  
ph 708.597.7090 + fx 708.597.0313

www.scientificdustcollectors.com  
A Venturedyne Ltd. Company

BUL #606  
05/06