

Top Bag removal
collectors with railing
top access

SPJ-RT SERIES

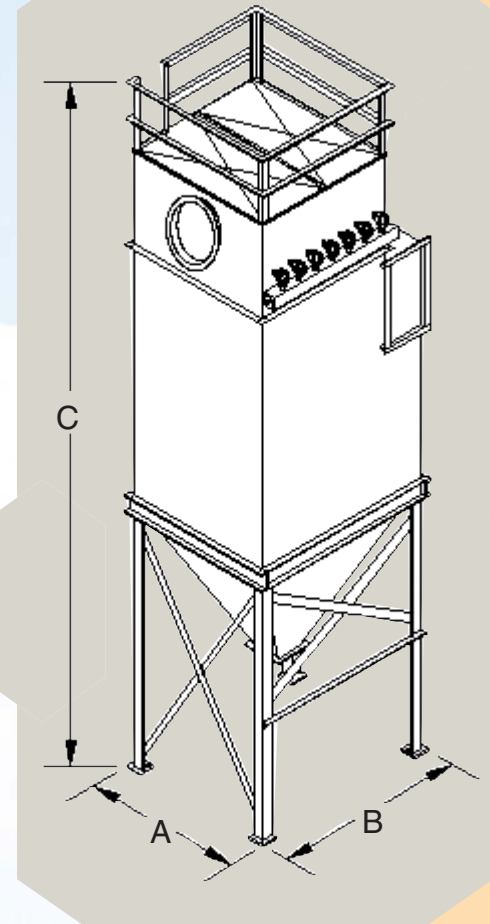
The SPJ Series Dust Collector is a heavy duty reverse pulse-jet dust collector that eliminates flow-restricting venturis and utilizes our patented cleaning system. The cleaning system results in reliable and efficient collectors that requires fewer bags and prolongs bag life. This reduces overall maintenance and operating costs while operating a smaller overall collector.

STANDARD FEATURES

- 12 gauge hot rolled steel housing, reinforced to withstand ± 20 IWC
- Structure designed to withstand 100 MPH winds + Zone 3 seismic loads
- Patented cleaning system with solid state timer pre-wired in NEMA 4 enclosure (110 V)
- 60° hopper with square discharge, flanged and pre-drilled for auxiliary equipment
- Compressed air manifold mounted with pipe couplings on both ends for easy connection of air supply
- Hopper discharge clearance of 42", sized for slide gate and 55 gallon drum adapter
- Flanged inlet and pre-drilled flanged outlet
- Removable 20" x 20" hopper access panel (for airlock)
- One full set of filter bags and wire cages with mounting hardware
- Zinc oxide primer on the interior and exterior, and an exterior finish of industrial enamel (color is tan or gray)
- One differential pressure gauge with dust trap and connecting hardware

Model	A	B	C
SPJ-40-X4RT8	72"	61"	217"
SPJ-48-X4RT8	72"	69"	222"
SPJ-56-X4RT8	72"	78"	234"
SPJ-64-X4RT8	72"	87"	248"
SPJ-72-X4RT8	102"	72"	256"
SPJ-84-X4RT8	102"	82"	258"
SPJ-96-X4RT8	102"	90"	261"
SPJ-108-X4RT8	102"	99"	263"
SPJ-120-X4RT8	102"	108"	270"
SPJ-132-X4RT8	102"	121"	284"
SPJ-144-X4RT8	102"	133"	297"

Standard models up to 736 filter bags available.



SCIENTIFIC DUST COLLECTORS

4101 W. 126th Street + Alsip, IL 60803 USA
ph 708.597.7090 + fx 708.597.0313

www.scientificdustcollectors.com
A Venturedyne Ltd. Company

BUL #603
05/06