

SPJ-B Series

The SPJ-B Series* Dust Collector is a heavy duty reverse pulse-jet dust collector that eliminates flow-restricting venturis, and utilizes our *patented cleaning nozzle* technology. The cleaning system yields a reliable and efficient collector that requires fewer bags, and prolongs bag life. This reduces overall maintenance and operating costs while operating a smaller overall collector.

SPJ-B Series Baghouse – Bottom Access



*SPJ-B Series is a Bottom Bag removal collector with side bag access.

STANDARD FEATURES

- Patented Cleaning Nozzle Technology.
- High Side Baffled Inlet with drop out area.
- Wide bag spacing: 2.5" – 3" between bags.
- 12 gauge hot rolled steel housing, reinforced to withstand ± 20 IWC.
- Standard structure designed to withstand 115 MPH winds + Zone 3 Seismic loads.
- Solid state timer pre-wired in NEMA 4 enclosure (110 V).
- Compressed air required: 90-100 psi. Must be clean and dry.
- Designed for Indoor/Outdoor use.
- 60° hopper with square discharge, flanged and pre-drilled for auxiliary equipment.
- Compressed air manifold mounted with pipe couplings on both ends for easy connection of air supply.
- Hopper discharge clearance of 42" (variable clearance heights available). Sized for slide gate and 55 gallon drum adapter.
- Flanged pre-drilled inlet, and flanged pre-drilled outlet.
- Removable 20" x 20" hopper access panel (for airlock).
- Variable sized Hinged Access Door (varies by size).
- One full set of filter bags and wire cages.
- Zinc oxide primer on the interior and exterior, and an exterior finish of industrial enamel (color is tan or graphite).
- One differential pressure gauge with dust trap and connecting hardware.
- Various bag dimensions and filter media type available.

We can also assist with meeting NFPA and OSHA Standards.



SCIENTIFIC
DUST COLLECTORS

4101 W. 126th Street • Alsip, IL 60803 USA
ph 708-597-7090 • fx 708-597-0313

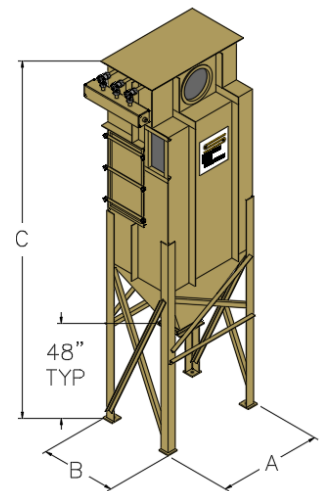
www.scientificdustcollectors.com
A Venturedyne Ltd. Company

01/2020

SPJ-B Series

MODEL	"A"	"B"	"C"	INLET SIZE	OUTLET SIZE DIA	QTY. VALVES	CLEANING AIR SCFM REQD.	TOTAL WEIGHT (LBS)
SPJ-4-X4B6	25"	31"	157"	5" X 8"	8"	2	0.2 - 3.3	315
SPJ-9-X4B6	32"	41"	165"	7" X 12"	10"	3	0.4 - 4.9	770
SPJ-12-X4B6	40"	42"	166"	8" X 14"	12"	3	0.5 - 6.5	1,045
SPJ-18-X4B6	55"	41"	173"	9" X 18"	14"	3	0.7 - 9.8	1,435
SPJ-24-X4B6	55"	50"	176"	11" X 20"	16"	4	1.0 - 9.8	1,630
SPJ-30-X4B6	55"	59"	185"	12" X 23"	18"	5	1.2 - 9.8	1,870
SPJ-36-X4B6	55"	67"	197"	13" X 25"	20"	6	1.5 - 9.8	2,135
SPJ-40-X4B6	71"	62"	197"	14" X 26"	22"	5	1.6 - 13.1	2,720
SPJ-48-X4B6	71"	70"	202"	15" X 29"	24"	6	2.0 - 13.1	3,110
SPJ-56-X4B6	71"	79"	215"	16" X 32"	26"	7	2.3 - 13.1	3,400
SPJ-64-X4B6	71"	88"	228"	18" X 33"	27"	8	2.6 - 13.1	3,880
SPJ-72-X4B6	101"	73"	227"	18" X 36"	29"	6	2.9 - 19.6	4,260
SPJ-84-X4B6	101"	71"	232"	20" X 38"	31"	7	3.4 - 19.6	4,650
SPJ-96-X4B6	101"	91"	237"	21" X 42"	34"	8	3.9 - 19.6	5,930
SPJ-108-X4B6	101"	100"	244"	22" X 45"	36"	9	4.4 - 19.6	5,320
SPJ-120-X4B6	101"	109"	257"	24" X 45"	38"	10	4.9 - 19.6	5,910
SPJ-132-X4B6	101"	122"	273"	29" X 41"	39"	11	5.4 - 19.6	6,390

MODEL	"A"	"B"	"C"	INLET SIZE	OUTLET SIZE DIA	QTY. VALVES	CLEANING AIR SCFM REQD.	TOTAL WEIGHT (LBS)
SPJ-4-X4B8	25"	31"	181"	5" X 8"	8"	2	0.2-3.3	384
SPJ-9-X4B8	32"	41"	189"	7" X 12"	10"	3	0.4-4.9	864
SPJ-12-X4B8	40"	42"	190"	8" X 14"	12"	3	0.5-6.5	1,152
SPJ-18-X4B8	55"	41"	197"	9" X 18"	14"	3	0.7-9.8	1,560
SPJ-24-X4B8	55"	50"	200"	11" X 20"	16"	4	1.0-9.8	1,770
SPJ-30-X4B8	55"	59"	209"	12" X 23"	18"	5	1.2-9.8	2,020
SPJ-36-X4B8	55"	67"	221"	13" X 25"	20"	6	1.5-9.8	2,300
SPJ-40-X4B8	71"	62"	221"	14" X 26"	22"	5	1.6-13.1	2,900
SPJ-48-X4B8	71"	70"	226"	15" X 29"	24"	6	2.0-13.1	3,300
SPJ-56-X4B8	71"	79"	239"	16" X 32"	26"	7	2.3-13.1	3,600
SPJ-64-X4B8	71"	88"	252"	18" X 33"	27"	8	2.6-13.1	4,100
SPJ-72-X4B8	101"	73"	263"	18" X 36"	29"	6	2.9-19.6	4,500
SPJ-84-X4B8	101"	71"	256"	20" X 38"	31"	7	3.4-19.6	4,900
SPJ-96-X4B8	101"	91"	261"	21" X 42"	34"	8	3.9-19.6	5,200
SPJ-108-X4B8	101"	100"	268"	22" X 45"	36"	9	4.4-19.6	5,600
SPJ-120-X4B8	101"	109"	281"	24" X 45"	38"	10	4.9-19.6	6,200
SPJ-132-X4B8	101"	122"	297"	29" X 41"	39"	11	5.4-19.6	6,700



LEGEND:

- Example: SPJ-4-X4B6
- SPJ – Model
 - 4 – Number of Bags
 - B – Bottom Bag Removal
 - 6 – Length of Bags (ft)

**Larger Models Available.

ALL DIMENSIONS AND WEIGHTS ARE APPROXIMATE, AND ARE TO BE USED FOR REFERENCE ONLY.



4101 W. 126th Street • Alsip, IL 60803 USA
ph 708-597-7090 • fx 708-597-0313

www.scientificdustcollectors.com
A Venturedyne Ltd. Company