

SPJ-BL Series

The SPJ-BL Series* Dust Collector is an economical baghouse collector designed for lower CFM flow amounts with all the quality design features you come to expect from SDC. The unit is fully welded, includes SDC's patented cleaning technology, and has a generous access door. The cleaning system and large dropout section provides for a more reliable and efficient collector that requires fewer bags, and provides for a prolonged bag life. All SPJ-BL collectors are on-line, self cleaning units with a solid state timer board for the cleaning system. Ideal for flows up to 5,000CFM.

SPJ-BL Series Baghouse Bottom Access



*SPJ-BL Series is a Bottom Bag removal collector with side bag access.

STANDARD FEATURES

- Patented Cleaning Nozzle Technology.
- High Side Baffled Inlet with drop out area.
- Wide bag spacing: 2.5" – 3" between bags.
- 12 gauge hot rolled steel housing, reinforced to withstand ± 14 IWC.
- Compressed air required: 90-100 psi. Must be clean and dry.
- Designed for Indoor/Outdoor use.
- Solid state timer pre-wired in NEMA 4 enclosure (110 V).
- 55° hopper with square discharge, flanged and pre-drilled for auxiliary equipment.
- Compressed air manifold mounted with pipe couplings on both ends for easy connection of air supply.
- Hopper discharge clearance of 42". Sized for a dust cart, or slide gate and 55 gallon drum adapter.
- Flanged pre-drilled inlet, and flanged pre-drilled outlet.
- Removable 20" x 20" hopper access panel (for airlock).
- Variable sized Hinged Access Door (varies by size).
- One full set of filter bags and wire cages.
- Zinc oxide primer on the interior and exterior, and an exterior finish of industrial enamel (color is tan or graphite).
- One differential pressure gauge with dust trap and connecting hardware.
- Various bag dimensions and filter media type available

We can also assist with meeting NFPA and OSHA Standards.



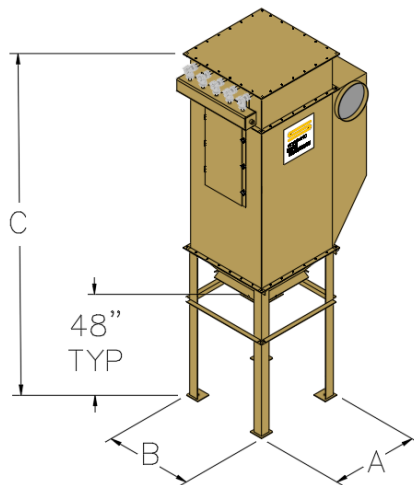
SCIENTIFIC
DUST COLLECTORS

4101 W. 126th Street + Alsip, IL 60803 USA
ph 708-597-7090 + fx 708-597-0313

www.scientificdustcollectors.com
A Venturedyne Ltd. Company

SPJ-BL Series

MODEL	"A"	"B"	"C"	INLET SIZE	QTY. VALVES	COMPRESSED AIR USAGE	TOTAL WEIGHT (LBS)
SPJ-16-4BL4-D	48"	37"	145"	10 1/8"	4	0.7 - 6.7	1,100
SPJ-20-4BL4-D	55"	37"	150"	10 1/8"	4	0.8 - 8.4	1,250
SPJ-25-4BL4-D	57"	44"	150"	12 1/8"	5	1.0 - 8.4	1,400
SPJ-36-4BL4-D	66"	51"	169"	14 1/8"	6	1.5 - 10.0	1,750
SPJ-16-4BL6-D	50"	37"	169"	12 1/8"	4	0.7 - 6.7	1,250
SPJ-20-4BL6-D	57"	37"	174"	12 1/8"	4	0.8 - 8.4	1,350
SPJ-25-4BL6-D	59"	44"	174"	14 1/8"	5	1.0 - 8.4	1,550
SPJ-36-4BL6-D	68"	51"	193"	16 1/8"	6	1.5 - 10.0	1,950
SPJ-36-4BL8-D	74"	51"	217"	22 1/8"	6	1.5 - 10.0	2,550
MODEL	"A"	"B"	"C"	INLET SIZE	QTY. VALVES	COMPRESSED AIR USAGE	TOTAL WEIGHT (LBS)
SPJ-20-4BL4-C	55"	38"	146"	10 1/8"	4	0.8 - 8.4	1,250
SPJ-25-4BL4-C	57"	44"	146"	12 1/8"	5	1.0 - 8.4	1,400
SPJ-36-4BL4-C	66"	51"	166"	14 1/8"	6	1.5 - 10.0	1,750
SPJ-20-4BL6-C	57"	37"	170"	12 1/8"	4	0.8 - 8.4	1,350
SPJ-25-4BL6-C	59"	44"	170"	14 1/8"	5	1.0 - 8.4	1,550
SPJ-36-4BL6-C	68"	51"	194"	16 1/8"	6	1.5 - 10.0	1,950
SPJ-36-4BL8-C	74"	51"	214"	22 1/8"	6	1.5 - 10.0	2,550



LEGEND:

Example: SPJ-20-4BL4-C

- SPJ – Model
- 20 – Number of Bags
- BL – Bottom Bag Removal
- 4 – Length of Bags (ft)
- C or D – Cart or Drum

ALL DIMENSIONS AND WEIGHTS ARE APPROXIMATE, AND ARE TO BE USED FOR REFERENCE ONLY.



SCIENTIFIC
DUST COLLECTORS

4101 W. 126th Street + Alsip, IL 60803 USA
ph 708-597-7090 + fx 708-597-0313

www.scientificdustcollectors.com
A Venturedyne Ltd. Company