

# Model SSB Stationary Bench

Scientific Dust Collectors continues its world class product offerings with its Model SSB\* Ventilated Work station for hand polishing, sanding, and cutting applications.

Dirty air vents to a central dust collector.



\*Worktables for central collection systems.

## STANDARD FEATURES

- Durable (1" x 1" x 1") fiberglass work surface. Metal work surfaces are available.
- Heavy duty 12 gauge construction.
- Leveling screws.
- Internal airflow baffle.
- Optional side and back panels.
- Optional cleanout port.
- Custom work benches.
- Adjustable feet (wheels optional).
- Zinc oxide primer and industrial enamel finish.



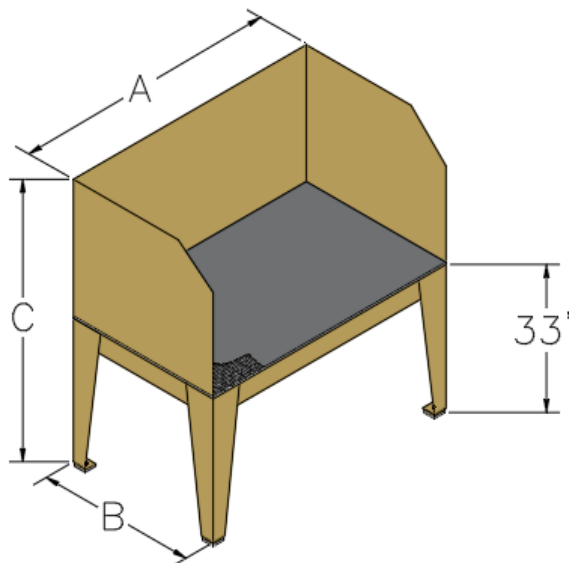
**SCIENTIFIC**  
DUST COLLECTORS

4101 W. 126th Street + Alsip, IL 60803 USA  
ph 708-597-7090 + fx 708-597-0313

[www.scientificdustcollectors.com](http://www.scientificdustcollectors.com)  
A Venturedyne Ltd. Company

# Model SSB Stationary Bench

MODEL	"A"	"B"	"C"	BENCH #	PANEL #
SSB-4	48"	36"	63"	532880	532885
SSB-5	60"	36"	63"	532890	532895
SSB-6	72"	36"	63"	532900	532905
SSB-8	96"	36"	63"	532910	532915
SSB-10	120"	36"	63"	532920	532925



Larger models available.

External collector required for dust extraction.

Custom build to meet/exceed your individual needs.



**SCIENTIFIC**  
DUST COLLECTORS

4101 W. 126th Street + Alsip, IL 60803 USA  
ph 708-597-7090 + fx 708-597-0313

[www.scientificdustcollectors.com](http://www.scientificdustcollectors.com)  
A Venturedyne Ltd. Company