

Cyclone Series

Scientific Dust Collectors continues its quality in dust collector manufacturing with its offering of a full line of Model-C* Cyclone Dust Collectors. Currently, SDC's line of Cyclone Collectors are suited for 5,000 CFM to 50,000 CFM with grouping options (of two or more cyclones) available for higher CFM needs. As with the Baghouse and Cartridge Collectors, the Cyclone Collector can be fitted for rotary air locks and other accessories.



STANDARD FEATURES

- 12 gauge steel (available in Stainless Steel).**
- Outlet mounting flange can be rotated as needed.
- Inlet mounting flange can be rotated as needed.
- Inspection Door.
- We can also assist with meeting NFPA and OSHA Standards.

**Other gauges of steel available.

Cyclones available in Carbon or Stainless Steel.

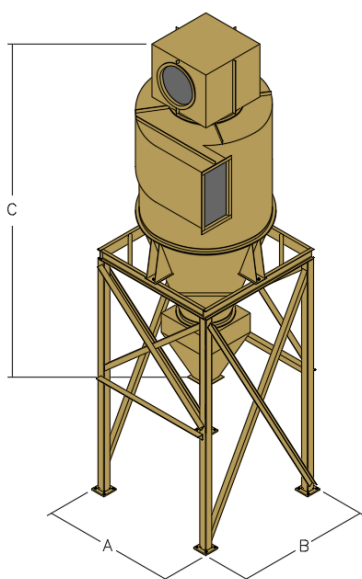
Hi-Temp cyclones are also available.

We can also assist with meeting NFPA and OSHA Standards.



Cyclone Series

MODEL	"A"	"B"	"C"	INLET SIZE	OUTLET SIZE	CFM*	TOTAL WEIGHT (LBS)
C-48	49"	49"	189"	12" X 24"	10" X 28"	5,000	1,500
C-58	59"	59"	230"	15" X 28"	13" X 32"	7,500	2,000
C-68	69"	69"	268"	17" X 33"	15" X 38"	10,000	2,500
C-74	75"	75"	285"	19" X 38"	17" X 42"	12,500	2,900
C-80	81"	81"	306"	21" X 40"	18" X 46"	15,000	3,500
C-84	85"	85"	318"	22" X 44"	20" X 50"	17,500	3,900
C-96	97"	97"	371"	24" X 48"	22" X 52"	20,000	4,900



LEGEND:

Example: C-58

- C – Model
- 58 – Cylinder Diameter

Larger & smaller models available

*Designed Airflow based on 2" WC.

ALL DIMENSIONS AND WEIGHTS ARE APPROXIMATE, AND ARE TO BE USED FOR REFERENCE ONLY.



SCIENTIFIC
DUST COLLECTORS

4101 W. 126th Street • Alsip, IL 60803 USA
ph 708-597-7090 • fx 708-597-0313

www.scientificdustcollectors.com
A Venturedyne Ltd. Company