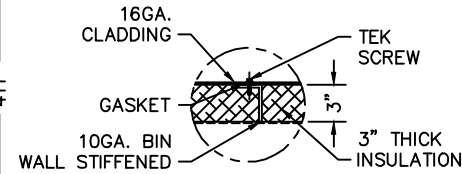
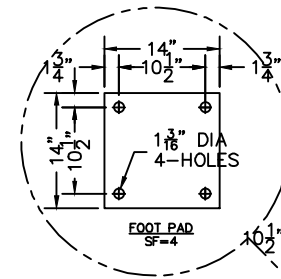


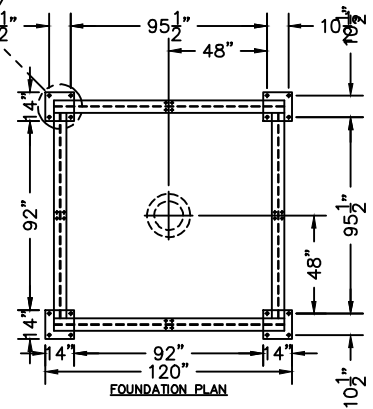
SCIENTIFIC C-108 CYCLONE DUST COLLECTOR

SPECIFICATIONS:


1. CYCLONE DIAMETER 108
 2. INLET OPENING 28" x 66"
 3. OUTLET OPENING 36" x 48"
 4. CAPACITY *30,000 CFM @ 2 INWG S.P. TO *50,000 CFM @ 6 INWG S.P.
- *AT STD TEMPERATURE & ELEVATION
5. HOPPER CONE ANGLE 70°
 6. VORTEX BREAKER WITH ACCESS DOOR
 7. INSULATION SEE DETAIL
 8. HOPPER DISCHARGE OPENING 14" ϕ
 9. MEYER ROTARY AIR LOCK 14" x 14" HDX ROUND
 10. ROTARY AIR LOCK CHUTE AS SHOWN
 11. HEAVY DUTY SUPPORT STAND AS SHOWN



INSULATION DETAIL SF=6



THIS MATERIAL IS PROPERTY OF SCIENTIFIC DUST COLLECTORS. NO RIGHTS ARE GRANTED TO USE SUCH MATERIAL FOR ANY PURPOSE OTHER THAN (1) PRODUCT EVALUATION OR MAINTENANCE OR (2) THE FURNISHING OF SERVICES AND SUPPLIES TO SCIENTIFIC DUST COLLECTORS

TITLE C-108 CYCLONE DUST COLLECTOR WITH INSULATION		 SCIENTIFIC DUST COLLECTORS 4101 W. 126th Street Alsip, IL 60803 USA ph 708.597.7090 fx 708.597.0313 www.ScientificDustCollectors.com <i>Westwood</i> Company
TOLERANCE UNLESS OTHERWISE NOTED .000 \pm FRACTIONS \pm 1/8" .00 \pm ANGLES \pm 1°		
DRN BY B.G.M.	CHKD BY	DRAWING NO. 537876
DATE DEC 2015	SCALE 1/96"=1"	
REFER TO		REV. NO. A