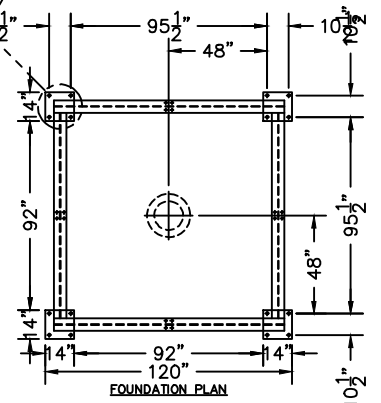
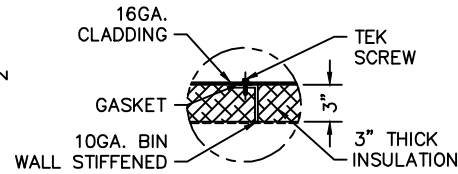
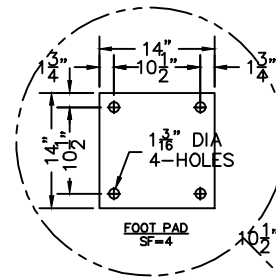
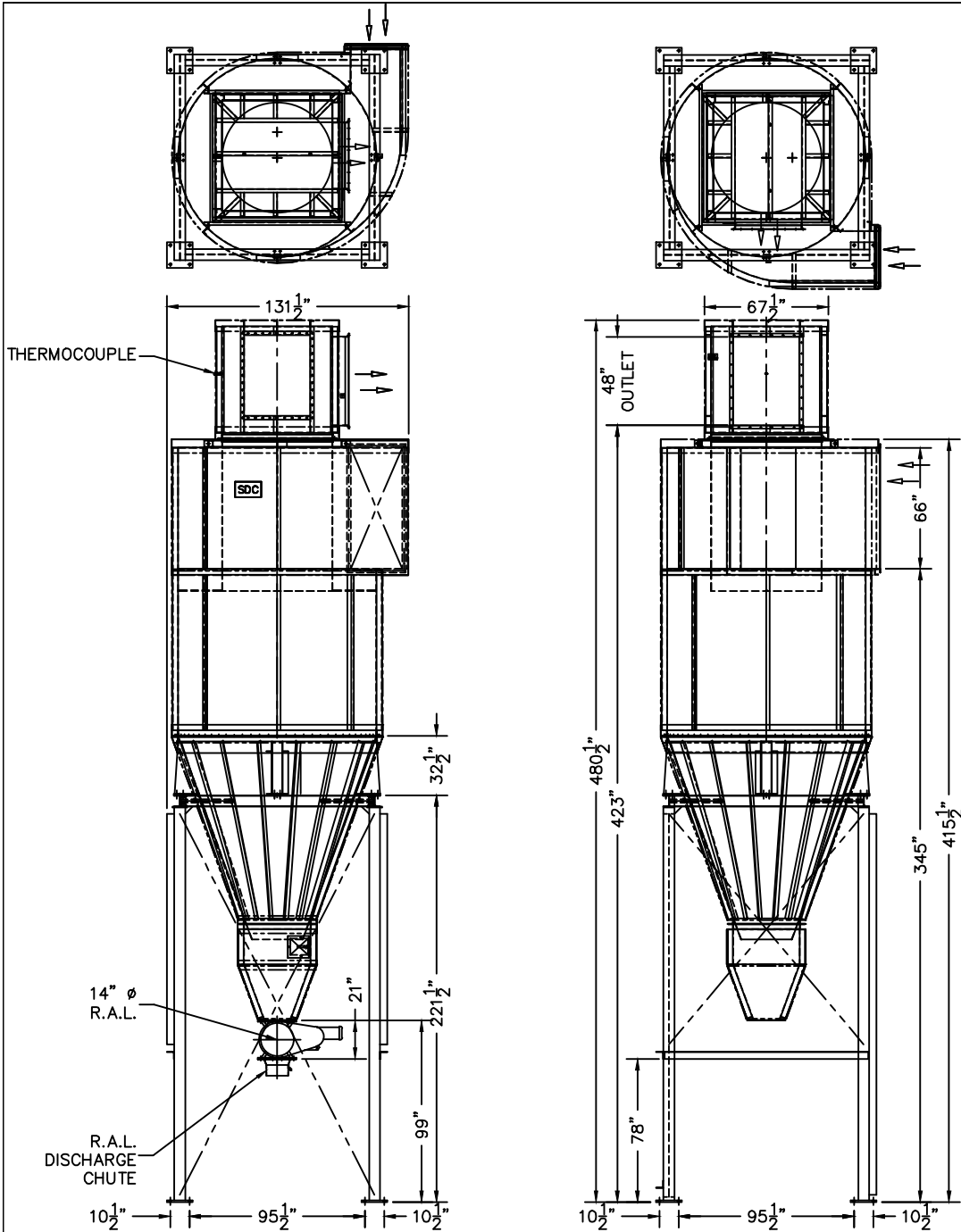



**SCIENTIFIC C-108 CYCLONE DUST COLLECTOR**

**SPECIFICATIONS:**

- |                                 |   |
|---------------------------------|---|
| 1. CYCLONE DIAMETER             | 108   |
| 2. INLET OPENING                | 28" x 66"   |
| 3. OUTLET OPENING               | 36" x 48"   |
| 4. CAPACITY                     | *30,000 CFM @ 2 INWG S.P. TO<br>*50,000 CFM @ 6 INWG S.P. |
| *AT STD TEMPERATURE & ELEVATION |   |
| 5. HOPPER CONE ANGLE            | 70°   |
| 6. VORTEX BREAKER               | WITH ACCESS DOOR  |
| 7. INSULATION                   | SEE DETAIL  |
| 8. HOPPER DISCHARGE OPENING     | 14" Ø   |
| 9. MEYER ROTARY AIR LOCK        | 14" x 14" HDX ROUND                                       |
| 10. ROTARY AIR LOCK CHUTE       | AS SHOWN  |
| 11. HEAVY DUTY SUPPORT STAND    | AS SHOWN  |



THIS MATERIAL IS PROPERTY OF SCIENTIFIC DUST COLLECTORS. NO RIGHTS ARE GRANTED TO USE SUCH MATERIAL FOR ANY PURPOSE OTHER THAN (1) PRODUCT EVALUATION OR MAINTENANCE OR (2) THE FURNISHING OF SERVICES AND SUPPLIES TO SCIENTIFIC DUST COLLECTORS

<b>TITLE</b> C-108 CYCLONE DUST COLLECTOR WITH INSULATION		 <p><b>SCIENTIFIC DUST COLLECTORS</b> 4101 W. 126th Street Alsip, IL 60803 USA ph 708.597.7090 fx 708.597.0313 www.ScientificDustCollectors.com</p> <p><i>Westwood</i> Company</p>
TOLERANCE UNLESS OTHERWISE NOTED .000 ± FRACTIONS ± 1/8" .00 ± ANGLES ± 1°		
DRN BY B. G. M.	CHKD BY	DRAWING NO. <b>537877</b>
DATE DEC 2015	SCALE 1/96"=1"	
REFER TO	REV. NO. <b>A</b>	